

DTS Mini-Split Stand

PRODUCT

DTS Stand

APPLICATION

- HVAC outdoor mini-splits
- DTS Stand should be placed on a mounting pad, or concrete or asphalt

PURPOSE

- Keeps condensing units elevated above lawn mowers, weed trimmers, pets, snow and flooding.

FEATURES

- Galvanized welded steel rod construction
- Durable powder-coated finish
- Adjustable positions for mounting feet
- Vibration reducing mounting grommets
- No assembly required

SPECIFICATIONS

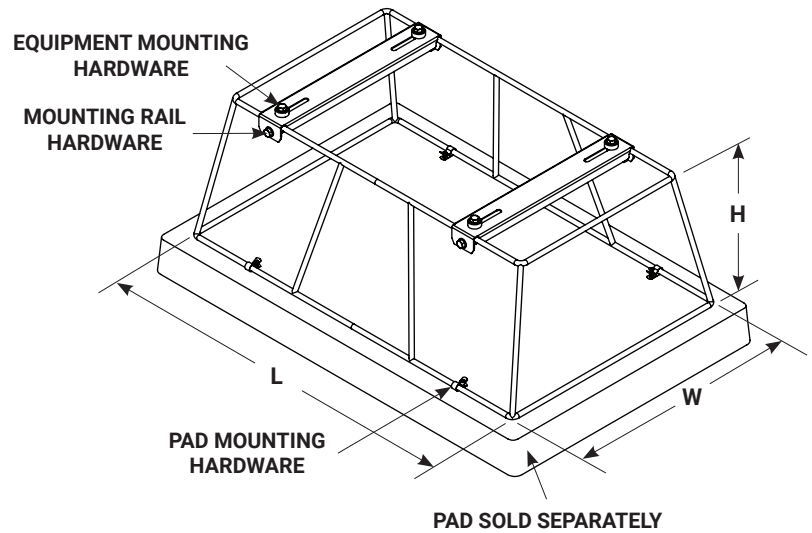
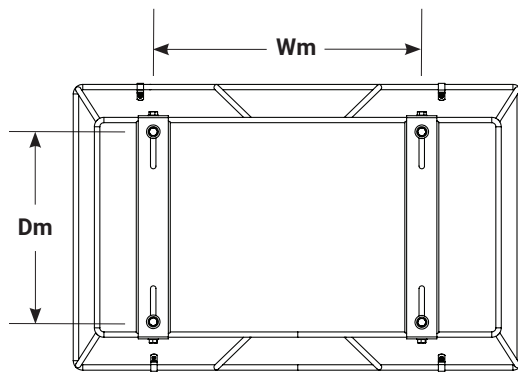
Capacity: 400 lbs.

Color: White RAL 7047

Equipped with: Vibration Isolators & Mounting Hardware



DTS1201



DiversiTech Model No.	Stand Dimensions			Weight (lbs.)	Equipment Mounting		Mounting Pad Model No.		Pallet Qty
	L (in.)	W (in.)	H (in.)		Wm. (in.)	Dm. (in.)			
DTS1201	33.0	21.3	12	13.4	10.0-26.2	9.0-14.2	EL2436-3 EP2436-3	EL2436-2 EP2436-2	34
DTS1202	34.8	22.1	12	14.4	10.0-27.3	9.6-17.2	EL2436-3 EP2436-3	EL2436-2 EP2436-2	30
DTS1203	39.0	28.0	12	16.3	10.0-32.0	10.0-21.5	EL3244-3	EL3040-2	16
DTS1802	38.0	28.0	18	16.8	10.0-27.3	9.6-17.2	EL3244-3	EL3040-2	17